



Kubus

Technical Information

The Kubus system has been created with contemporary design, flawless functionality, and ease-of-installation in mind. Named for its cube-like look with its optically flat horizontal roof line, the Kubus delivers maximum versatility to homeowners which includes a free standing option. This stylish system is constructed from aluminium, with sturdy steel plates used internally for ultra-firm installation. Benefiting from a large 4m maximum projection, the Kubus can be installed to any length.



Size:

Projection: Up to 4m (glass length)
Length: Unlimited
Post Spacing: Up to 4m

Materials:

Main Frame: Aluminium
Roof Bars: Aluminium
Posts: Aluminium
Internal Connection plates: Steel
Guttering: Aluminium
Roof Sheets: Choice of 6mm Toughened Glass - with Clear as standard.

Kubus

Features & Benefits

Cover Large Areas:

The Kubus can be manufactured to any length and has a maximum projection of up to 4m (glass length) with up to 4m between the posts for an almost uninterrupted view.

Glazing Options:

The Kubus is supplied with 6mm toughened glass as standard which is toughened during manufacturing and achieves Class 1 BS EN 12600 for impact performance.

It is also available with UV Activated Self Cleaning Glass at an additional cost. These panels have a UV activated special coating that is applied during manufacture that breaks down organic dirt which is then washed away by the rain.

High Light Transmittance:

The glass options offer high light transmittance and is almost indistinguishable from regular glass.

Glass Door/Room Upgrade:

You can add Glass Doors to the Kubus to transform your veranda into a more enclosed room for truly outdoors living.

Integral Aluminium Guttering:

Supplied with hidden, integrated aluminium guttering and uPVC downpipes for a sleek, modern design which is stronger than external guttering systems and requires much less maintenance.

Low Maintenance:

There's no need to repaint the structure throughout its lifespan, a simple clean and removal of debris from the integral gutter is all that's required.

Lighting:

It hits the spot! You can now have either 6, 8, 10 or 12 spotlights in place to provide a soothing setting and allowing for use when it is dark.

Full 10 Year Guarantee:

The Kubus is supplied with a full 10 year guarantee and a 25 year life expectancy for the aluminium frame.



Kubus

Upgrades

Lighting and Heating

The Kubus offers the ability to have 6, 8, 10 or even 12 spotlights in the system which provides the ability to make more use of the system even when the sun goes down. With the spotlights situated within the glazing bars, a smooth and seamless system is in place to maintain the stylish look of the Kubus.

The infrared wall mounted heaters have ceramic elements that are designed to give a gentle heat that will keep users warm whilst outdoors under a covered structure such as a canopy using Far Infrared technology which is completely harmless and contains no ultraviolet radiation or fumes.

The heaters also do not emit any noise and provide a gentle heat similar to the feeling of the winter sun.



Glass Doors

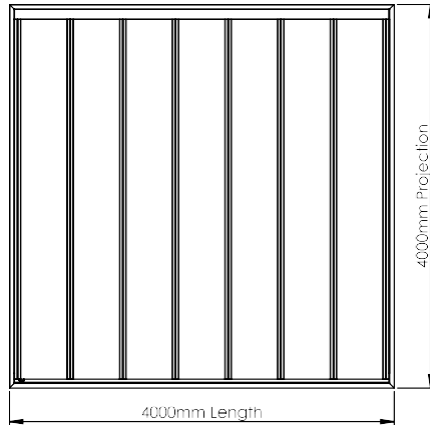
The Kubus can be upgraded with our popular Glass Door option. These Glass Doors are fitted on runners for a strong but smooth gliding operation. Creating a fully enclosed outdoors room, the Glass Doors are lockable for added security.



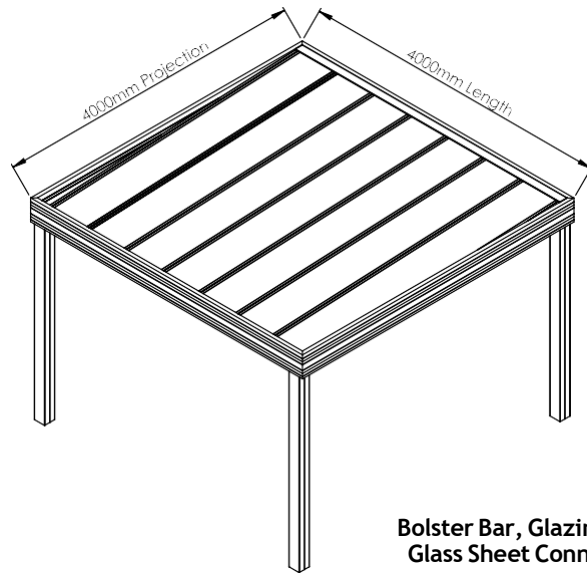
Kubus

Technical Drawings

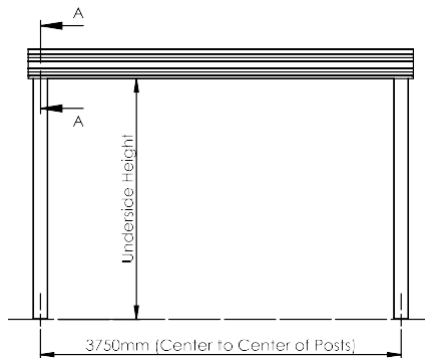
Top View



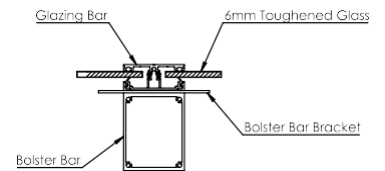
Isometric View



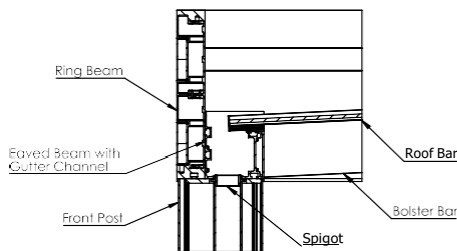
Front View



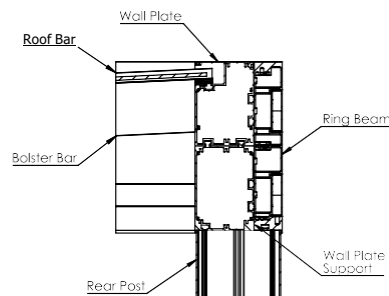
Bolster Bar, Glazing Bar & Glass Sheet Connection



Eaves Beam, Roof Bar & Post Connection



Wall Plate, Roof Bar & Post Connection



Material List & Component Information

1. The canopy wall plate is an extruded aluminium profile which fixes to the wall steel bracket.
2. This canopy uses 6mm glass roof panels in clear as standard.
3. This canopy uses our gasketed 6mm glass roof system, which is constructed from T6 grade structural aluminium frame.

4. The post of the canopy is made from 150x150mm 2mm aluminium box section.

Please note: This is a standardised product data sheet and is subject to change depending on individual cases, or site specific surveys. Specific drawings are available upon request or on receipt of an order.

diatostyle

0800 975 0064
sales@diato.co.uk